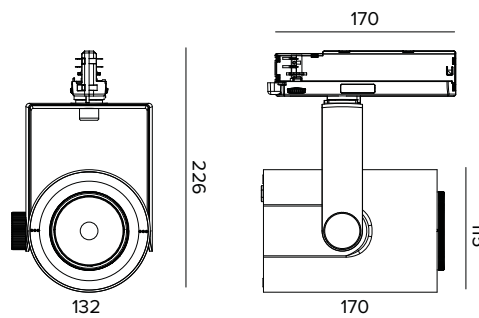


## T034ZMS930ELDB | RAY 115 ZOOM

Professional adjustable LED projector with a variable light beam opening



The fixture's photometric values can be found on the following pages



The figures on the drawing are expressed in mm.

### SOURCE

High efficiency Chip on Board LED Ra90. Ra97 on request.

**Energy efficiency class:** D

**Nominal power:** 26W

**Nominal flux:** 3054lm

**Colour rendering index:** 90

**Rf:** 92

**Rg:** 101

**CCT nominal:** 3000K

**Lifetime (L80/B10):** >50000h tq +25°C

### ILLUMINOTECHNICAL CHARACTERISTICS

ZOOM SMART version: optic composed of two PMMA elements working together, a fixed TIR primary lens and a secondary adjustable one. Rotation of the second lens of just 14° covers the zoom range between minimum and maximum opening.

**Optic:** LENS

**Beam angles:** SP-MWFL

**Optical efficiency:** See photometries

**Fixture flux:** See photometries

**Luminous efficacy:** See photometries

**Photobiological safety:** Compliant with RG1 low risk group

### MECHANICAL CHARACTERISTICS

Painted die-cast aluminium body. Black painted polycarbonate front ring. Adjustable from 0° to -90° on the vertical plane and 359° on the horizontal plane. Mechanical beam locking system on the vertical plane and friction beam locking system on the horizontal plane. The centre of gravity always remains in axis with the track regardless of the aiming.

**Colour and finish:** Deep black

**Dimensions:** 115

**Weight:** 1.2Kg

**Version:** ZOOM SMART

**Degree of protection:** IP20

### ELECTRICAL CHARACTERISTICS

ON-OFF electronic driver integrated into the track adapter.

**Fixture Power:** 30W

**Power supply:** 220-240Vac 50/60Hz

**Insulation Class:** CLASS 2

**Type of driver / Control:** ON-OFF

**Driver included:** YES

**Class F:** YES

**Ambient temperature:** 0°C / +25°C

### INSTALLATION

Electrified track mounting.

### WARRANTY

5 years.

### WARNING

Luminaire designed for disposal/recycling at end-of-life. Replaceable (LED only) light source by a professional. Replaceable control gear by a professional.

Due to the technological evolution of the electronic components, the data provided may be updated, and as such, confirmation must be requested during the order process.

Luminous flux and power supply have +/-10% tolerances with respect to the indicated value. tq +25°C (CIE 121).

We reserve the right to make technical changes.

Targetti Sankey S.r.l.  
Via Pratese, 164  
50145 Firenze - Italy  
Tel: +39 055 37911  
targetti.com  
targetti@targetti.com

CCIAA Firenze  
Share Capital:  
€ 500.000,00  
VAT N. (IT):  
01537660480  
R.E.A.: FI-275656

**TARGETTI**

**T034ZMS930ELDB | RAY 115 ZOOM**  
**Professional adjustable LED projector with a variable light beam opening**

	3000K	H(m)	D(m)	Emax(lx)		
	Ra90		16°			
Fixture Power	30W	1	0.28	18567		
Source Flux	3054lm	2	0.57	4642		
Fixture Flux	2170lm	3	0.85	2063		
Efficacy	73lm/W	4	1.13	1160		
TS1919	I <sub>max</sub> =6080cd/klm	I <sub>max</sub>	18567cd	5	1.42	743

	3000K	H(m)	D(m)	Emax(lx)		
	Ra90		43°			
Fixture Power	30W	1	0.79	3733		
Source Flux	3054lm	2	1.58	933		
Fixture Flux	2102lm	3	2.37	415		
Efficacy	71lm/W	4	3.16	233		
TS1918	I <sub>max</sub> =1222cd/klm	I <sub>max</sub>	3733cd	5	3.96	149

**SP**

Fixture flux 2170lm  
 Luminous efficacy 74lm/W  
 Optical efficiency 71%

**FL**

Fixture flux 2102lm  
 Luminous efficacy 71lm/W  
 Optical efficiency 69%

Due to the technological evolution of the electronic components, the data provided may be updated, and as such, confirmation must be requested during the order process. Luminous flux and power supply have +/-10% tolerances with respect to the indicated value. tq +25°C (CIE 121).

Targetti Sankey S.r.l.  
 Via Pratese, 164  
 50145 Firenze - Italy  
 Tel: +39 055 37911  
 targetti.com  
 targetti@targetti.com

CCIAA Firenze  
 Share Capital:  
 € 500.000,00  
 VAT N. (IT):  
 01537660480  
 R.E.A: FI-275656



We reserve the right to make technical changes.